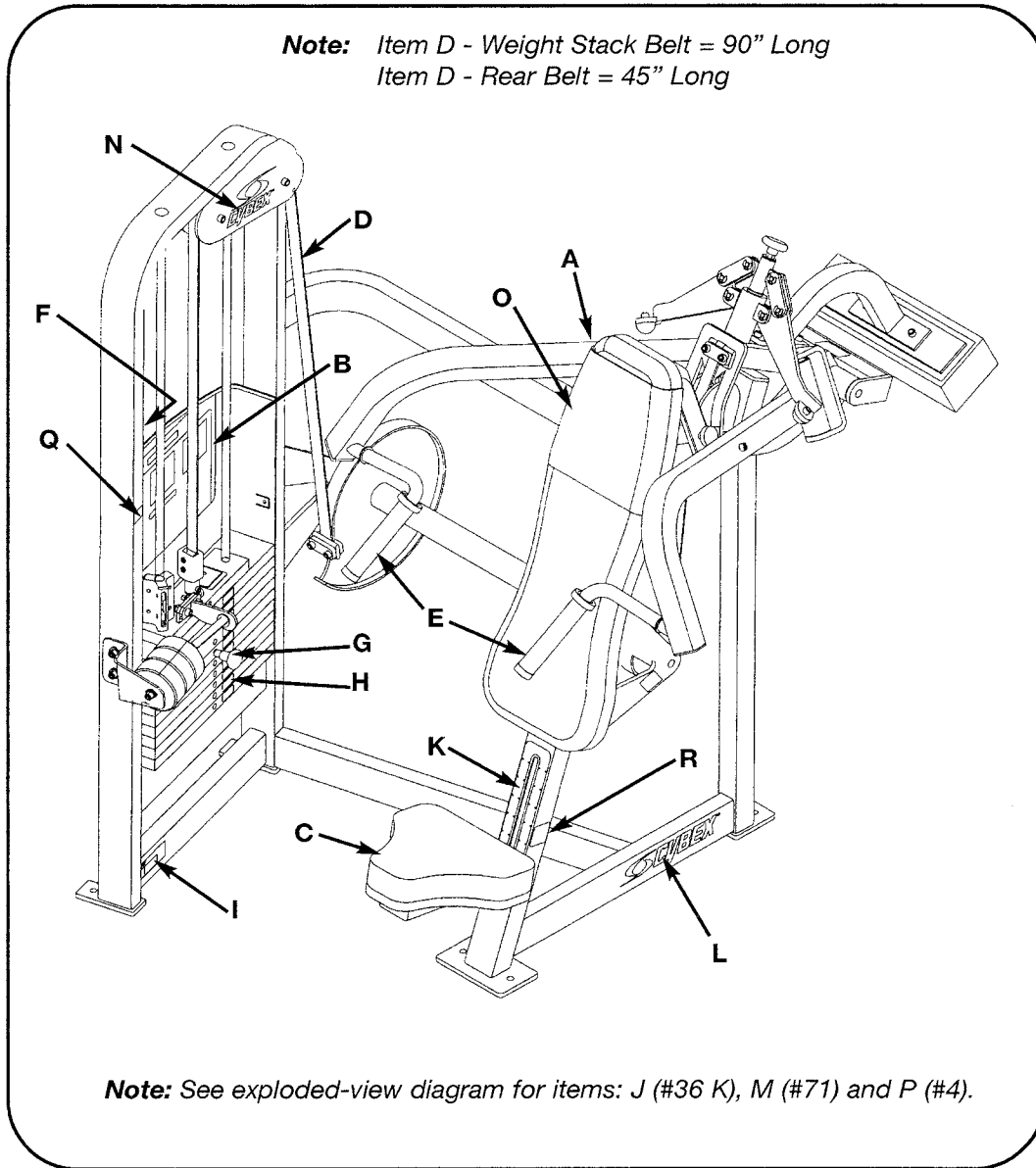


# OVERHEAD PRESS - DUAL AXIS

PRODUCT NO. 4527

PARTS LIST

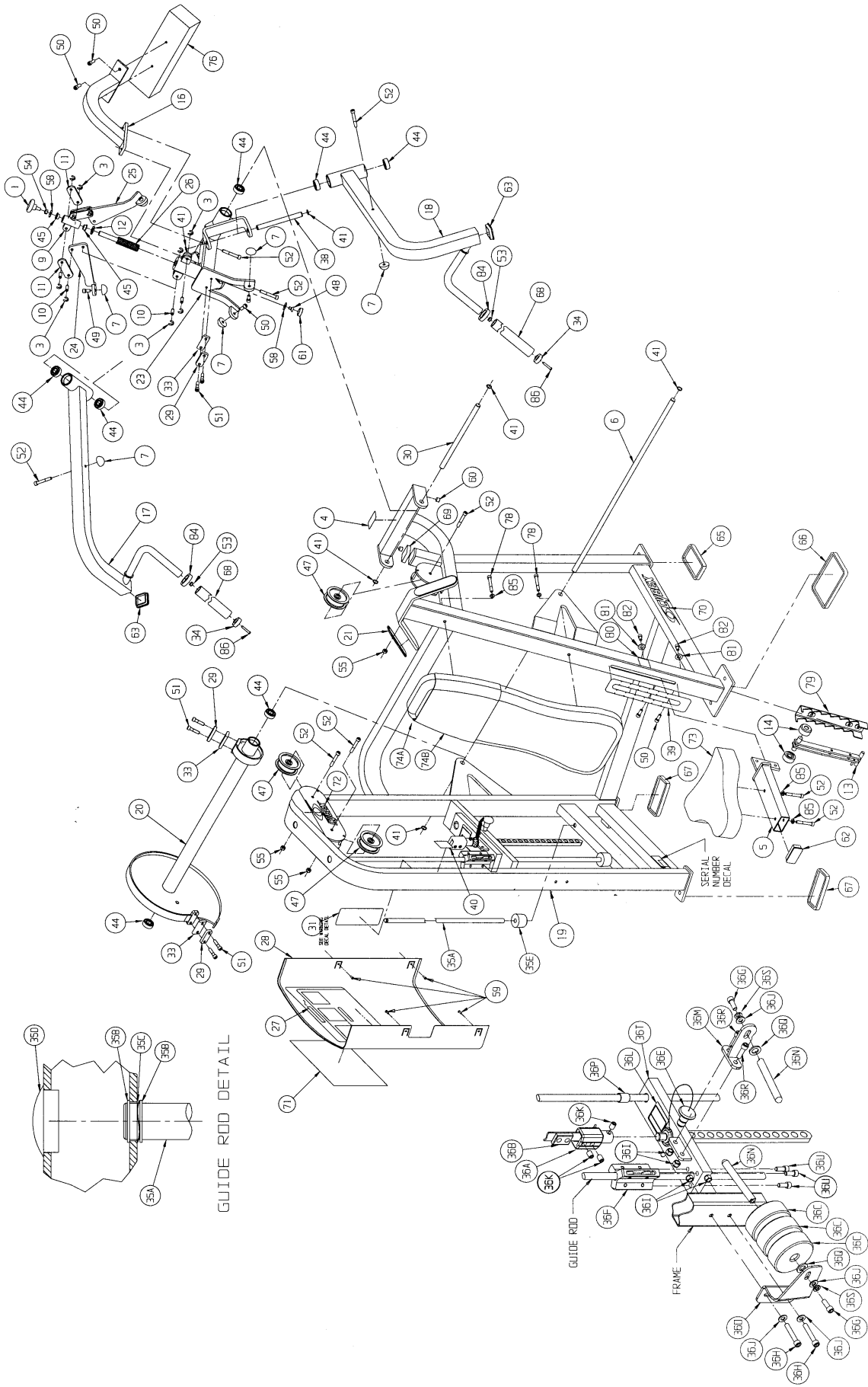


DESCRIPTION	PART NO.	DESCRIPTION	PART NO.
A. Back Cushion w/Wear Cover.....	██████████	K. Seat Adjustment Decal..	5221-316
B. Placard Decal.....	4527-598	L. Cybex Decal Blk/Plm ....	3900-390
C. Seat Cushion.....	4800-026	L. Cybex Decal Wht/Wht ..	3900-415
D. Belt.....	GB000202	M. Cybex Decal Blk/Plm ...	3900-391
E. Grip 12.25" Long .....	4605-503	M. Cybex Decal Wht/Wht ..	3900-419
F. Warning Decal.....	4605-381	N. Cybex Decal Blk/Plm ....	3900-423
G. Weight Plate Decal.....	4605-388	N. Cybex Decal Wht/Wht ..	3900-424
H. Weight Selector Pin.....	BH030207	O. Wear Cover (Item A) .....	██████████
I. Serial Number Decal		P. Caution Decal.....	4000Y316
J. Caution Decal.....	4605-424	Q. Caution Decal.....	5221-319
		R. Caution Decal.....	4520-362

### 4527 - Overhead Press - Dual Axis

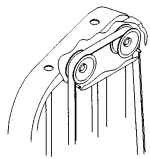
ITEM	QTY	PART NO.	DESCRIPTION	ITEM	QTY	PART NO.	DESCRIPTION
1	1	PP460012	Knob	36 T	1	4700-239	Top Weight
2			Not Used	36 U	3	HC702816	SHCS .375-16 x .875
3	12	08017	Retaining Ring .375	37	1	4701-302	VR2 Weight Stack Instr. (not shown)
4	1	4000Y316	Caution Decal	38	2	5220-320	Pivot Shaft 7.06
5	1	4505-207	Seat	39	1	5221-316	Seat Adjustment Decal
6	1	4505-327	Pivot Shaft 35.72	40	1	5221-319	Caution Decal
7	6	4505-331	Bumper 1.50 Dia	41	8	BR030210	Retaining Ring 17 mm
8	1	51198	Strength Warranty Sheet (not shown)	42			Removed
9	1	4507-201	Slide	43			Removed 5/99
10	6	4507-301	Pin	44	8	FB030232	Radial Brg 17 mm ID (Ext Race)
11	4	4507-302	Link Bar	45	2	FB130212	Flange Brg .75 x .88 x .75 L
12	1	4507-310	Flat Washer .647 x 1.25 x .105 T	46 A	90"	GB000202	Weight Stack Belt .95" wide
13	1	4520-212	Seat Roller	46 B	45"	GB000202	Rear Belt .95" wide
14	2	4520-331	Roller	47	3	GP000209	Pulley Assembly 3.50
15			Removed	48	1	HC700915	FHSCS .375-16 x .75
16	1	4525-203	Counterweight Bracket	49	4	HC702815	SHCS .375-16 x .750
17	1	4525-204	Arm (Right Hand)	50	4	HC702817	SHCS .375-16 x 1.00
18	1	4525-205	Arm (Left Hand)	51	6	HC702822	SHCS .375-16 x 1.50
19	1	4526-203	Frame	52	9	HC702830	SHCS .375-16 x 2.50
20	1	4526-202	Cam	53	2	HF449063	Connector Insert 3/4 x 1/4 - 20
21	2	4525-318	Slide Plate	54	1	HN704000	Hex Nut .375-16
22	2	4525-329	Arm Block	55	3	HN704901	Nylon Locknut .375-16
23	1	4527-201	Pivot	56			Removed 5/99
24	1	4527-202	Stop (Right Hand)	57			Removed
25	1	4527-203	Stop (Left Hand)	58	2	HS347700	Washer USS .375
26	1	4527-300	Adjustment Screw (RH)	59	4	HT102214	Tap Screw #10-12 x .625 A (Phil)
27	1	4527-598	Placard Decal	60	2	PN660201	Hole Plug
28	1	4505-431	Guard	61	1	PP080202	Plastic Insert 1.19 Dia - 11 G
29	3	4605-300	Belt Clamp	62	1	PP090202	Plastic Insert 1.5 x 3.0 - 11 G
30	1	4605-334	Pivot Shaft 13.06	63	2	PP090210	Plastic Insert 2.00 Sq x 10-14 G
31	1	4605-381	Warning Decal	64			Not Used
32	1	4605-388	Weight Plate Decal 10-290	65	1	PR070001	Foot Pad 2.50 x 4.25
33	3	4605-394	Belt Clamp	66	1	PR070002	Foot Pad 4.00 x 7.00
34	2	11090-374	End Cap	67	2	PR070003	Foot Pad 2.00 x 5.25
35	1	4701-021	Weight Stack Guide Rod Set	68	2	4605-503	Grip 12.25
35 A	2	4505-319	Weight Stack Guide Rod	69	1	PU060204	Bumper
35 B	4	BR030214	Retaining Ring .625	70			Removed 3/03
35 C	2	HS407100	Spring Washer .65 x .79 x .062T	70	1	3900-390	Cybox Decal 1.57 Horiz. Blk/Plm
35 D	2	PN660200	Plastic Insert 1.00 Dia. x 11 G	70	1	3900-415	Cybox Decal 1.57 Horiz. Wht/Wht
35 E	2	PR060005	Weight Bumper	71			Removed 3/03
36	1	4701-030	Sliding Increment Weight Set	71	1	3900-391	Cybox Decal 11.37 Vert. Blk/Plm
36 A	1	11040-216	Belt Clamp	71	1	3900-419	Cybox Decal 11.37 Vert. Wht/Wht
36 B	1	11040-301	Belt Clamp Insert	72	1	3900-423	Cybox Decal 4.85 Vert. Blk/Plm
36 C	3	4605-390	Increment Weight	72	1	3900-424	Cybox Decal 4.85 Vert. Wht/Wht
36 D			Removed 3/03	72			Removed 3/03
36 E	1	BH030207	Weight Selector Pin	73	1	4800-026	Seat Cushion
36 F	1	FB130208	Bearing Sleeve .68 x .81 1.00 L	74 A	1	4800-009	Back Cushion w/Wear Cover
36 G	2	HC702817	SHCS .375-16 x 1.00	74 B	1	4800-092	Wear Cover
36 H	2	HC702828	SHCS .375-16 x 2.25	75			Not Used
36 I	4	HN704901	Nylon Locknut .375-16	76	1	ZC000001	Counterweight
36 J	4	HS347600	Washer, SAE .375	77			Removed
36 K	1	HY740000	Set Screw	78	2	HC702834	SHCS .375-16 x 3.00
36 L	1	4605-424	Caution Decal	79	1	4520-213	Bracket
36 M	1	4700-240	Weight Mount	80	1	4520-362	Caution Decal
36 N	2	4700-318	Increment Weight Rod	81	2	HS347700	Washer USS .375
36 O	1	4700-319	Frame Mount Increment Weight	82	2	JC702812	SHCS .375-16 x .50
36 P	2	4701-001	Top Weight Guide	83	9	4000C101	Stack Weight 4 x 18 (not shown)
36 Q	2	4700-321	Rubber Washer	84	2	11090-376	Handle Grip Ring
36 R	2	JC702820	SHCS .375-16 x 1.25	85	4	JS347400	Internal Tooth Lockwasher
36 S	2	HS348300	Split Lockwasher .375	86	2	JC620422	BHSCS .250-20 x 1.50

# OVERHEAD PRESS - DUAL AXIS - 4527

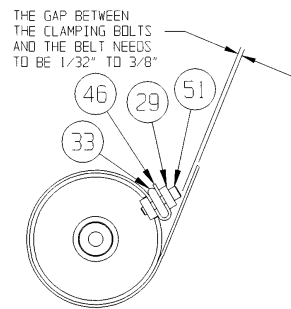
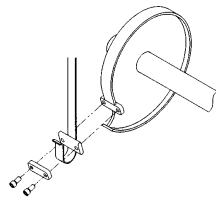


GUIDE ROD DETAIL

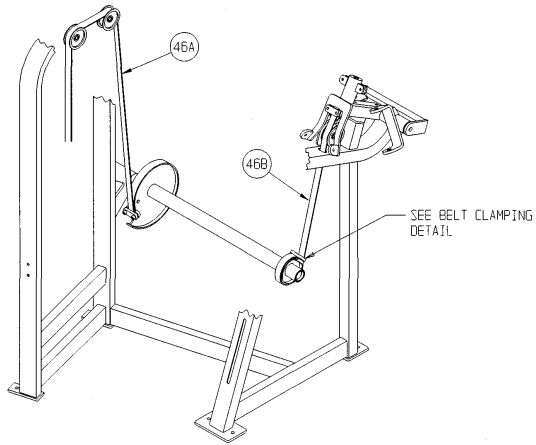
TOP WEIGHT DETAIL



BELT ROUTING DETAIL



BELT CLAMPING DETAIL



BELT ROUTING DETAIL